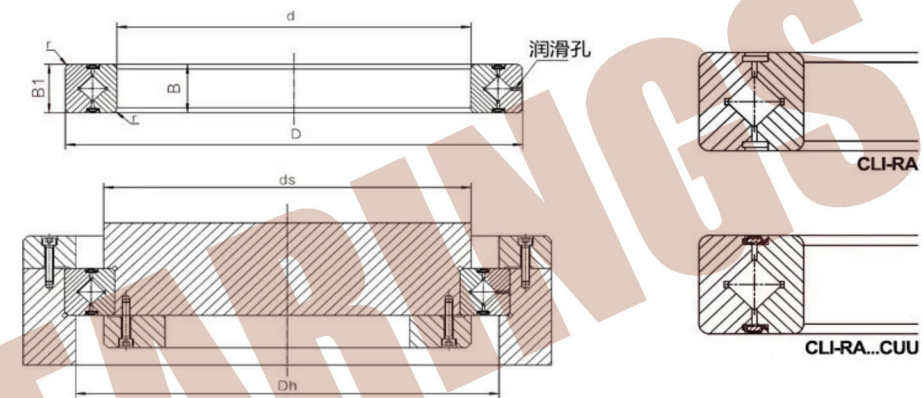




CLI- RA-C 系列交叉滚子轴承是基于 CLI-RB 设计和制造的。内外圈为超薄壁型结构，内圈旋转，内圈外圈一体式设计，两个外圈、一个内圈。CLI-RA-C 型外圈则是纵剖分体，而 CLI-RBS 系列外圈则为整体结构。适合于需要重量轻、紧凑设计的部位，例如机器人和机械手旋转部位。CLI-RA 系列交叉滚子轴承可替代 THK 公司 RA-C 系列轴承。

\* The major dimensions of CLI-RA-C bearings are the same as that of model CLI-RA bearings. Since the outer ring is split at one point to increase the rigidity of the outer ring, this model can also be used for outer ring rotation. It is optimal for locations where weight reduction and downsizing are required, such as the hand swiveling unit of robots and manipulators. It is the best alternative of THK's RA-C bearings.



CLI Part NO.	Boundary Dimensions (mm)			Roller Diameter (mm)	Shoulder Dimensions (mm)		Rated Loading		Weight	Cross Reference
	ID (d)	OD (D)	W (B)	Dpw	ds	Dh	C	Co	(kg)	THK
CLI-RA5008C	50	66	8	57	53.5	60.5	5.1	7.19	0.08	RA5008C
CLI-RA6008C	60	76	8	67	63.5	70.5	5.68	8.68	0.09	RA6008C
CLI-RA7008C	70	86	8	77	73.5	80.5	5.98	9.8	0.1	RA7008C
CLI-RA8008C	80	96	8	87	83.5	90.5	6.37	11.3	0.11	RA8008C
CLI-RA9008C	90	106	8	97	93.5	100.5	6.67	12.4	0.12	RA9008C
CLI-RA10008C	100	116	8	107	103.5	110.5	7.15	13.9	0.16	RA10008C
CLI-RA11008C	110	126	8	117	113.5	120.5	7.45	15	0.15	RA11008C
CLI-RA12008C	120	136	8	127	123.5	130.5	7.84	16.5	0.17	RA12008C
CLI-RA13008C	130	146	8	137	133.5	140.5	7.94	17.6	0.18	RA13008C
CLI-RA14008C	140	156	8	147	143.5	150.5	8.33	19.1	0.19	RA14008C
CLI-RA15008C	150	166	8	157	153.5	160.5	8.82	20.6	0.2	RA15008C
CLI-RA16013C	160	186	13	172	165	179	23.3	44.9	0.59	RA16013C
CLI-RA17013C	170	196	13	182	175	189	23.5	46.5	0.64	RA17013C
CLI-RA18013C	180	206	13	192	185	199	24.5	49.8	0.68	RA18013C
CLI-RA19013C	190	216	13	202	195	209	24.9	51.5	0.69	RA19013C
CLI-RA20013C	200	226	13	212	205	219	25.8	54.7	0.71	RA20013C

\*\*\* NOTES: 1) Bearings with seals are CLI-RA...CUU; 2) Please select inner ring's rotation way when needs higher precision bearings.